



## CHARACTERISTICS

- Polypropylene plug.
- Suitable both for solid base material (concrete, stone, solid brick, etc.) and hollow (airbrick, etc.).
- In hollow materials, the plug creates a knot inside the wall that allows fastening.
- With collar to avoid accidental introduction inside base material. Lateral wings to avoid turning during knot creation.
- Use with Pz screw TPPO or coach wood screw TB.
- Use: fixation of grates, handrails, supports, bookcases, sanitariums, etc.

## BASE MATERIAL



## APPLICATION EXAMPLES



**1. RANGE**

ITEM	CODE	DIMENSIONS	PHOTO	MATERIAL
1	MEDUB	From 6 x 35 to 10 x 60		

**2. INSTALLATION DATA**

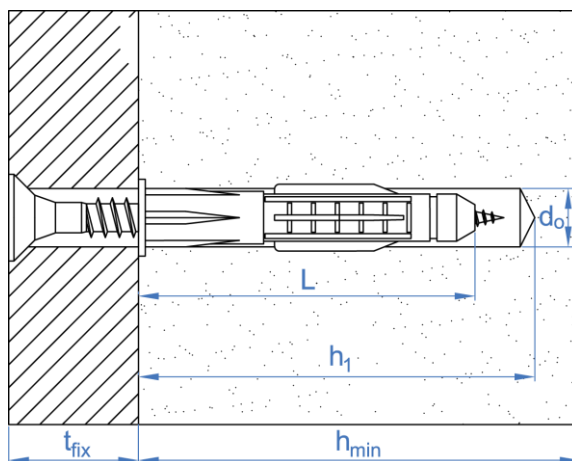
**2.1 MEDUB**

**Universal plug**

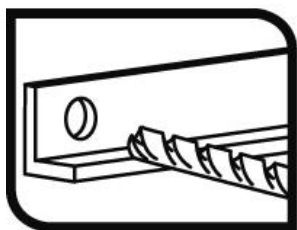


**Installation data**

CODE		MEDUB06	MEDUB07	MEDUB08	MEDUB10
$\varnothing d_0$ : Drill hole diameter	[mm]	6	8	8	10
L: Plug length	[mm]	35	45	50	60
$h_1$ : Drill hole depth	[mm]	45	50	60	75
$h_{min}$ : Base material minimum thickness	[mm]	65	70	80	95
Recommended screw		TPPO 3,5 - 4	TPPO 4	TPPO 4 – 4,5	TPPO 5 – 6 TB 5 - 7

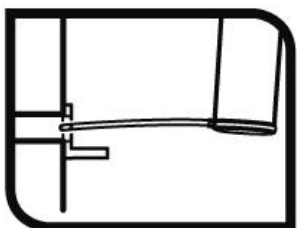


### 3. INSTALLATION PROCEDURE



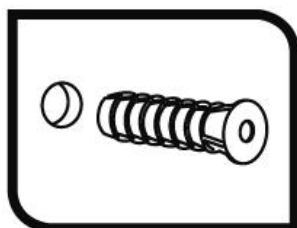
**1. DRILL**

Check concrete is well compacted and porosity insignificant. Drilling must be performed at the specified minimum depth and diameter in the previous table. Switch drill to hammer mode in case of drilling in concrete. In case of hollow materials do not use the hammer mode to avoid damaging the base material interior. Reduce drilling speed when we are about to finish the hole. Suitable for dry and wet drill holes.



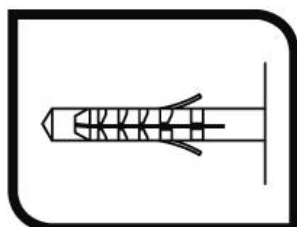
**2. BLOW AND CLEAN**

Clean hole of dust and debris. Use blow-pump and cleaning brushes.



**3. INSTALL**

Insert the plug in the base material. Have to be done till the flared lip.



**4. APPLY TORQUE**

Screw the bolt without applying an excessive tightening torque that may cause the plug to become over threaded. This is important when it comes to hollow materials, because due to the expansion of the block requires a greater number of turns of the screws.

### 4. RESISTANCES

**MAXIMUM LOAD RECOMMENDED**

PLUG CODE	SCREW CODE	CONCRETE [kg]	SOLID BRICK [kg]	HOLLOW BRICK [kg]
MEDUB06	TPPOZ40060	8	5	4
MEDUB07	TPPOZ45070	12	5	4
MEDUB08	TPPOZ45070	24	5	4
MEDUB10	TB07090	70	7	5