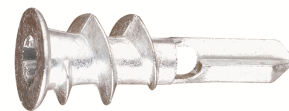


TAPLA ME



TAPLA NY



TAPLA ZK

CHARACTERISTICS

Plug for fixing in laminated plasterboard panels.

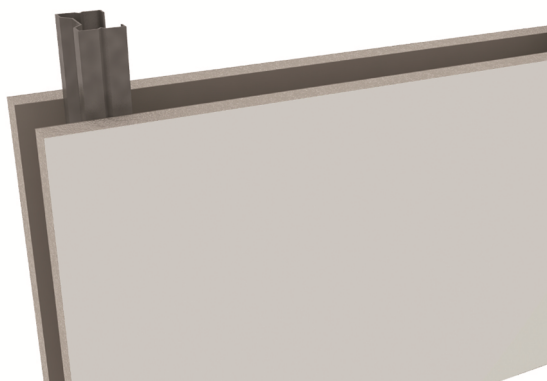
Previous drilling not required.

Variety of materials:

- TAPLAME: Zamak plug with included screw.
- TAPLANY: Nylon plug
- TAPLAZK: Zamak plug

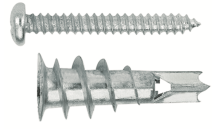

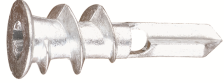
Painting fixings, wall lighting, air conditioning evaporators, etc.

BASE MATERIAL



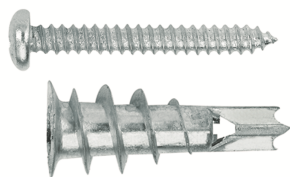
APPLICATION EXAMPLES



1. RANGE				
ITEM	CODE	SIZE	PHOTO	MATERIAL
1	TAPLAME	13 x 32 mm		Zamak
2	TAPLANY	15 x 33 mm		Nylon
3	TAPLAZK	13 x 37 mm		Zamak

2. INSTALLATION DATA

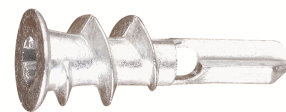
2.1 TAPLA Drywall fixings plugs



TAPLAME



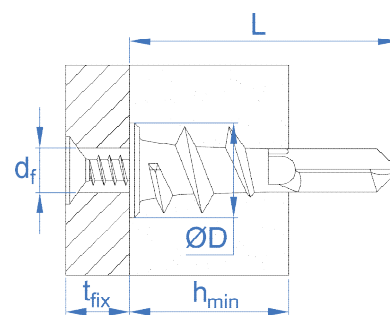
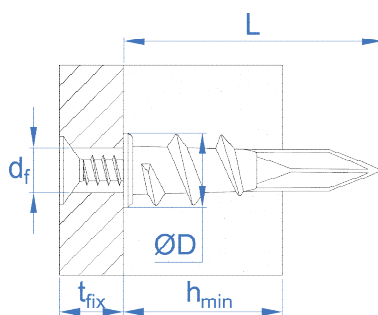
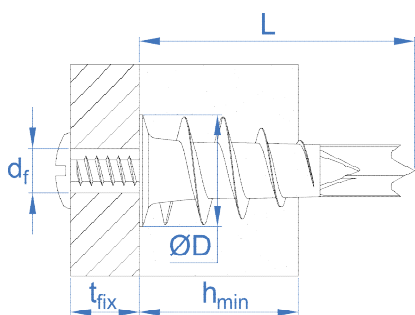
TAPLANY



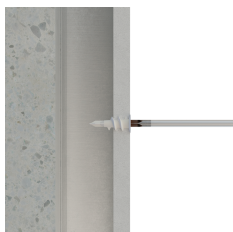
TAPLAZK

Installation data

CODE		TAPLAME	TAPLANY	TAPLAZK
L: plug length	[mm]	32	33	37
ØD: plug head diameter	[mm]	13	15	13
d _f : fixture hole diameter	[mm]	5		
h _{min} : base material thickness (min.-máx.)	[mm]	9,5 - 30		
t _{fix} : maximum thickness of fixture	[mm]	8	8	12
Installation sockets		PH2/PH3	PH2/PH3	PH3
Minimum depth of cavity	[mm]	25		
Recommended screw	[mm]	DIN 7981 4,2 x 32 included	TPPO 4,5 x 45 DIN 7981 4,2 x 38	TPPO 4,5 x 45 DIN 7981 4,2 x 38



3. INSTALLATION PROCEDURE



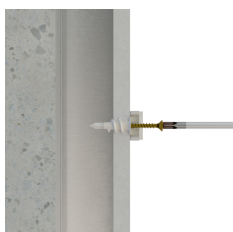
1. PREPARE THE DRILL

Set up the screwdriver PH2 or PH3 in the drill.

Reduce the drill torque in order to avoid damaging the drywall.

Switch to rotary drilling, adjusting the torque to avoid damaging the drywall.

*If plasterboard is damaged during installation due to excessive drill torque, stop this installation attempt and perform another at a distance no less than twice the plug length.



2. SET THE FIXTURE AND INSTALL THE SCREW

Set the fixture in the chosen position.

Thread the screw, wether it is included in the box(TAPLAME) or the recommended in the previous table (TAPLANY, TAPLAZK), through the fixture, threading the screw over the reviously installed plug.

Switch to rotary drilling, adjusting the torque to avoid overtighten the screw or the plug.



4. MAXIMUM RECOMMENDED LOADS

The maximum load recommended for an isolated plug-in drywall (without spacing and edge distance effects) are specified in the following table

MACIMUM RECOMMENDED LOADS [kg]

CODE	Drywall thickness									
	9,5 mm		12,5 mm		2 x 12,5 mm		15 mm		2 x 15 mm	
	N _{rec}	V _{rec}	N _{rec}	V _{rec}	N _{rec}	V _{rec}	N _{rec}	V _{rec}	N _{rec}	V _{rec}
TAPLAME	5,8	20,0	8,0	24,0	12,0	34,6	14,6	45,2	12,7	57,2
TAPLANY	4,7	20,0	8,0	26,6	12,0	32,0	9,8	44,1	---*	---*
TAPLAZK	5,5	19,7	8,0	24,8	14,6	36,4	14,6	46,6	23,3	58,6

*Non valid installation